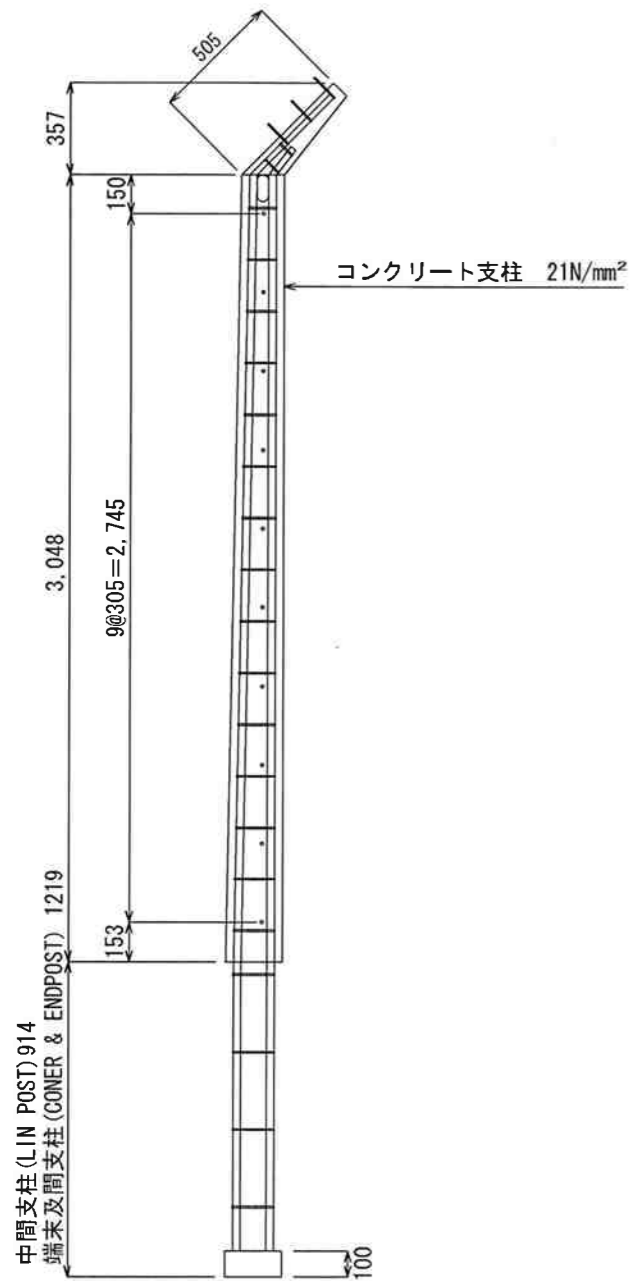




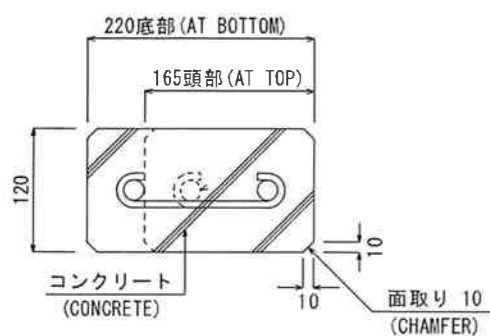
支柱側面図 (220×120×3048)

(TYPICAL SIDE ELEVATION)



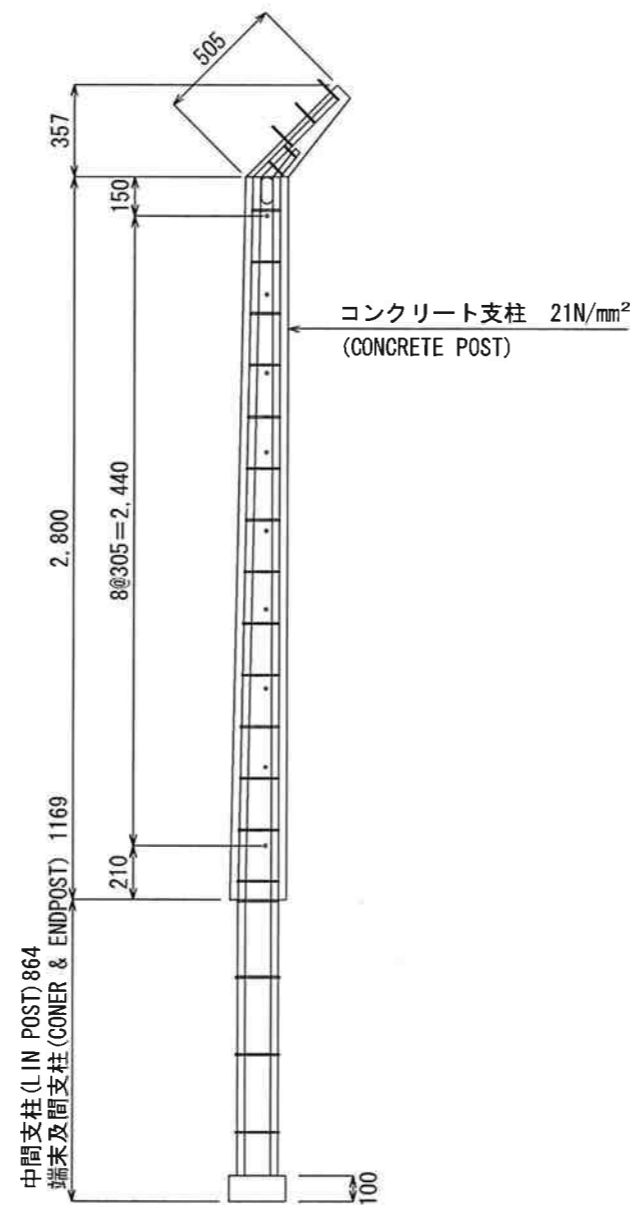
支柱断面図

(TYPICAL SECTION OF POSTS)



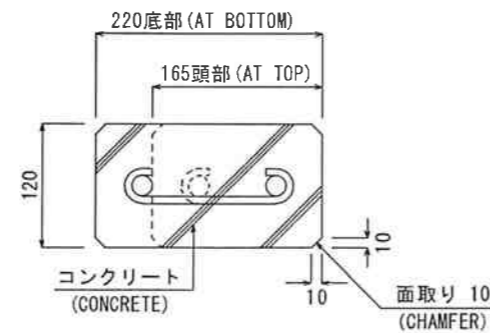
支柱側面図 (220×120×2800)

(TYPICAL SIDE ELEVATION)



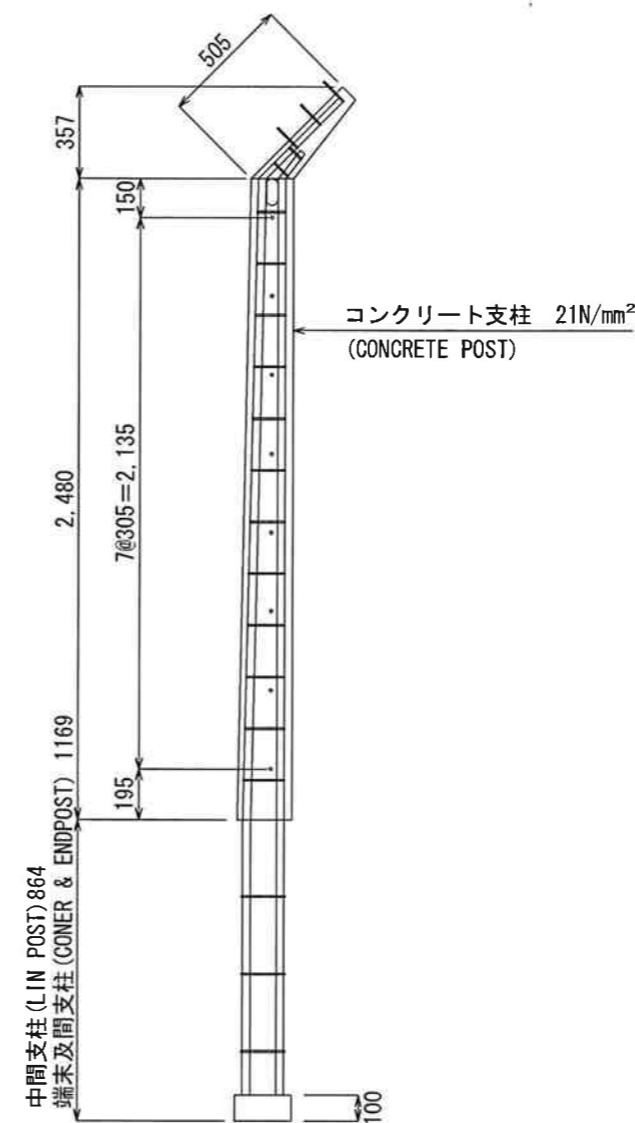
支柱断面図

(TYPICAL SECTION OF POSTS)



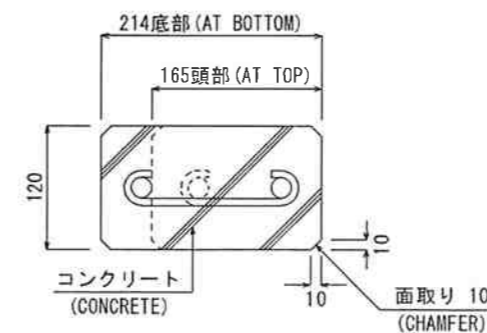
支柱側面図 (220×120×2480)

(TYPICAL SIDE ELEVATION)



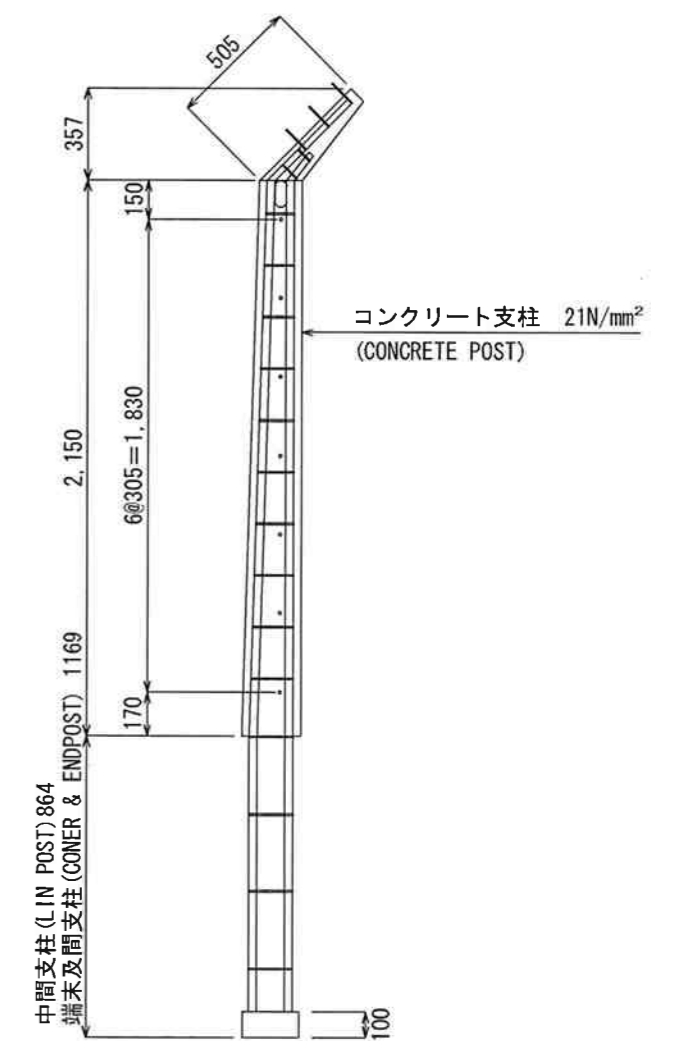
支柱断面図

(TYPICAL SECTION OF POSTS)



支柱側面図 (229×102×2150)

(TYPICAL SIDE ELEVATION)



支柱断面図

(TYPICAL SECTION OF POSTS)

